

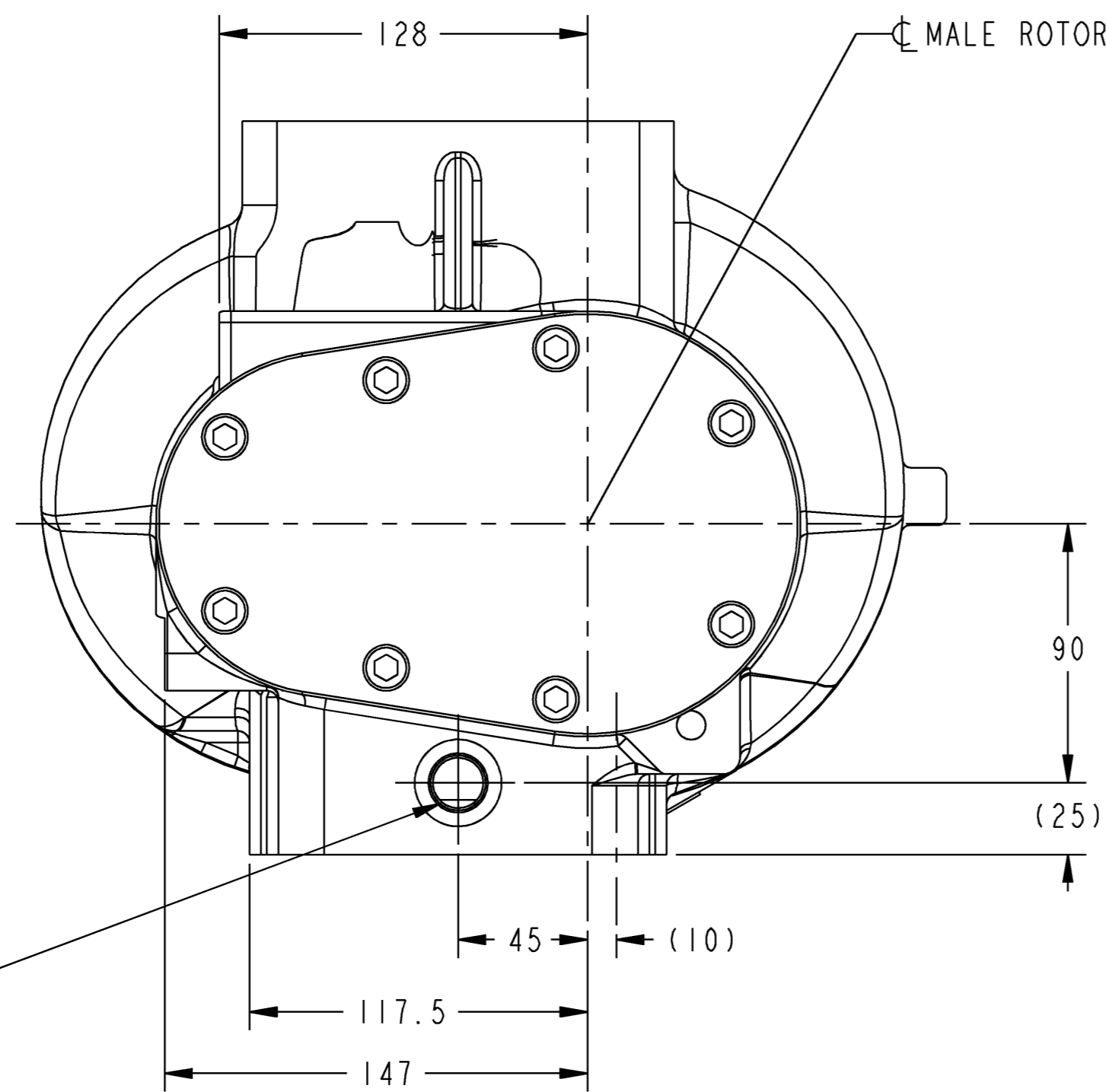
NOTES

1. ASSEMBLY DRAWING PART NUMBER IS 22643043 (CF90D3) OR 23039167 (CF90D4).

2 PER SAE J1926/1 (ISO 11926-1)

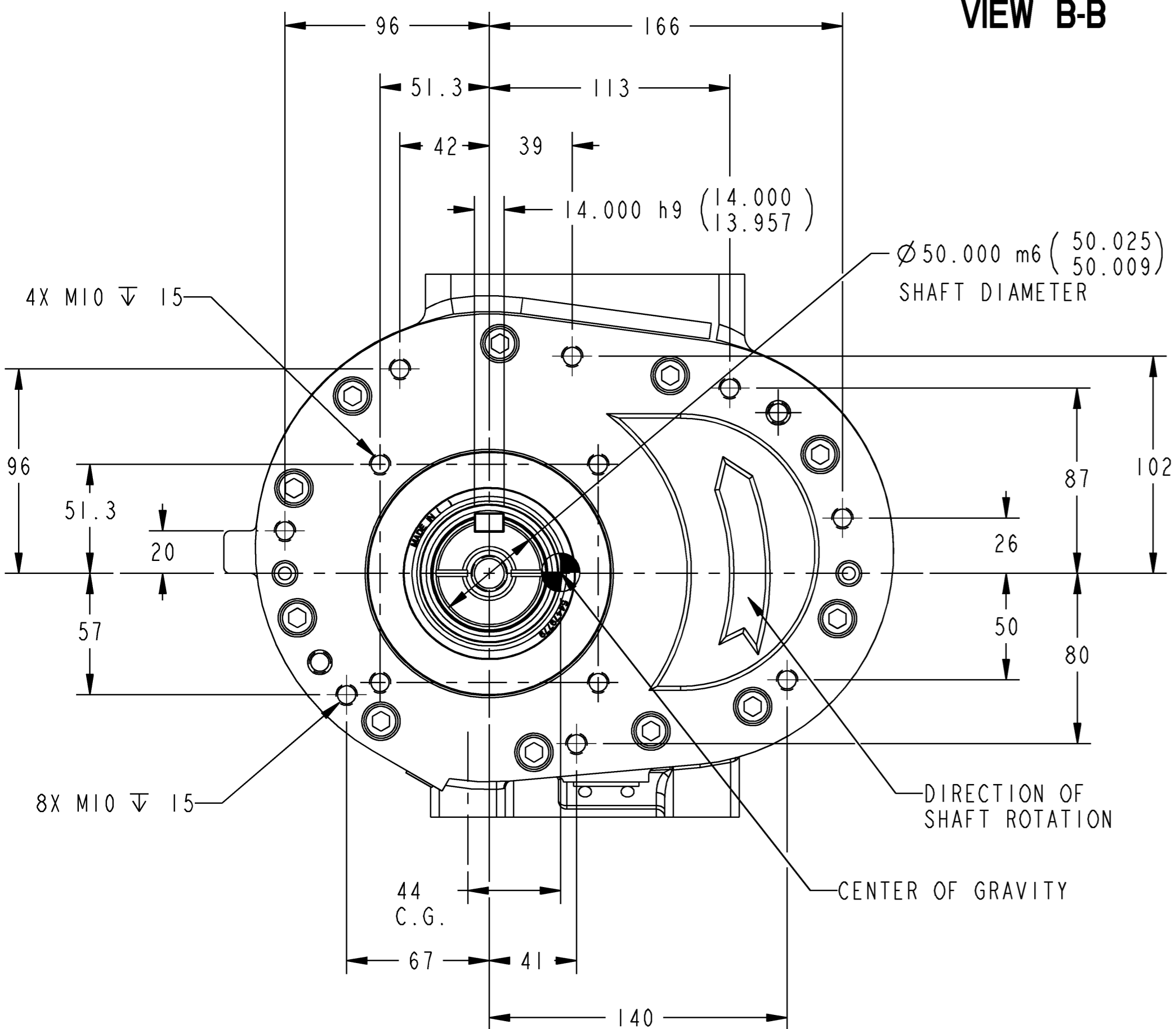
3 PER DIN 3852-1

REVISIONS						
ZONE	REV	ECN	DESCRIPTION	DATE	DWN	APV
-	A	-	ORIGINAL RELEASE	05-11-05	BAN	WEL
	B	73205	RELEASE TO DAVIDSON AND MOCKSVILLE	12-15-05	MPM	BDS
	C	74155	ADDED CF90D4 ASSY DWG TO NOTE 1 AND CF90D4 TO UNIT INFO IN TITLE BLOCK.	12-19-06	RRB	BDS



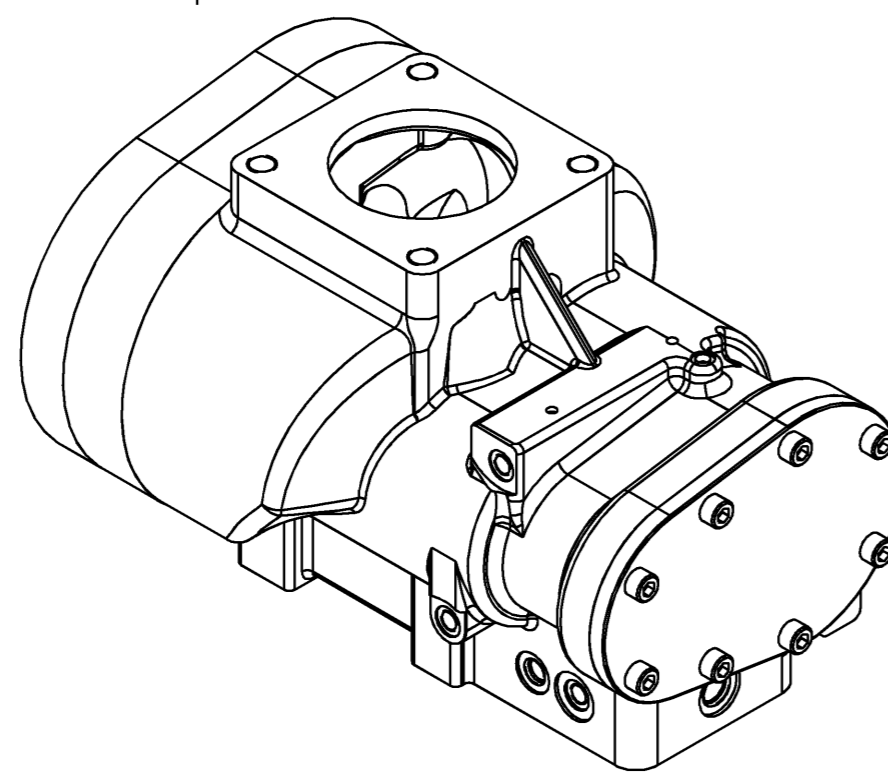
VIEW B-B

DISCHARGE TEMP
SENSOR PORT
.75-16UNF-2B 2

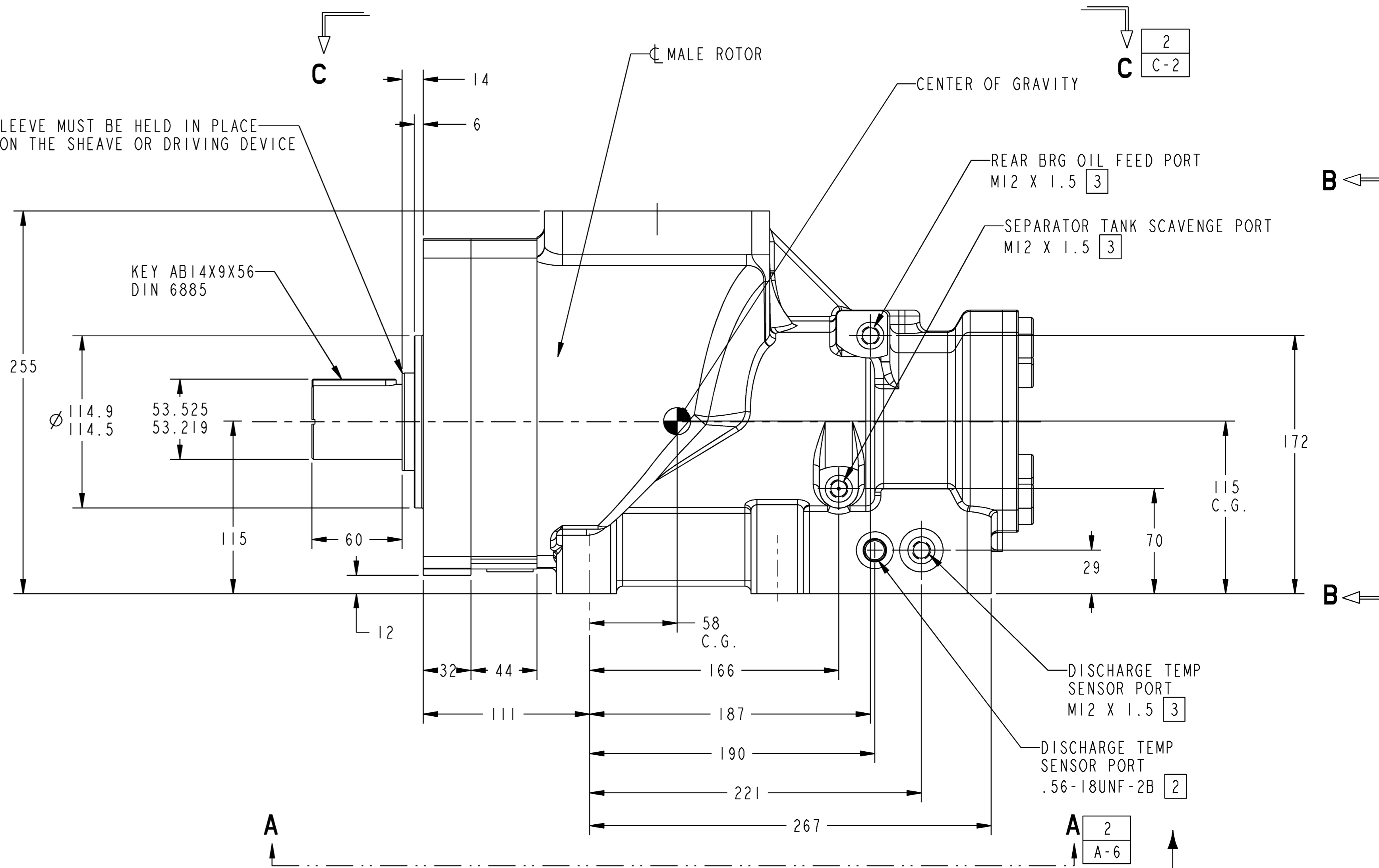


DIRECTION OF
SHAFT ROTATION

CENTER OF GRAVITY



SEAL WEAR SLEEVE MUST BE HELD IN PLACE
BY THE HUB ON THE SHEAVE OR DRIVING DEVICE



CENTER OF GRAVITY

REAR BRG OIL FEED PORT
M12 X 1.5 3

SEPARATOR TANK SCAVENGE PORT
M12 X 1.5 3

DISCHARGE TEMP
SENSOR PORT
M12 X 1.5 3

DISCHARGE TEMP
SENSOR PORT
.56-18UNF-2B 2

WARNING:
THE EXPORT OR REEXPORT OF THIS DRAWING OR A PRODUCT
PRODUCED BY THIS DRAWING IS SUBJECT TO U.S. EXPORT
ADMINISTRATION REGULATIONS AND OTHER APPLICABLE
GOVERNMENT RESTRICTIONS OR REGULATIONS.

DRAWING CONFORMS TO ASME Y14.5M-1994

ALL WELDMENTS TO BE IN ACCORDANCE WITH
(IAW) ANSI/AWS A2.4-93.

UNLESS OTHERWISE SPECIFIED, ALL DIMENSIONS ARE
IN MILLIMETERS AND TOLERANCES ON DIMENSIONS
ARE DECIMALS:

WHOLE : --- (.X) = ± .1
ONE PLACE : --- (.XX) = ± 0.5
TWO PLACE : --- (.XXX) = ± 0.25
ANGLES : --- (.X) = ± 1°

PROPRIETARY NOTICE
THIS DRAWING CONTAINS CONFIDENTIAL AND TRADE SECRET
INFORMATION, IS THE PROPERTY OF INGERSOLL-RAND CO.,
AND IS GIVEN TO THE RECEIVER IN CONFIDENCE. THE
RECEIVER BY RECEPTION AND RETENTION OF THE DRAWING
ACCEPTS THE DRAWING IN CONFIDENCE AND AGREES THAT,
EXCEPT AS AUTHORIZED IN WRITING BY INGERSOLL-RAND CO.
IT WILL (1) NOT USE THE DRAWING OR ANY COPY THEREOF
OR THE CONFIDENTIAL OR TRADE SECRET INFORMATION
THEREIN; (2) NOT COPY THE DRAWING; (3) NOT DISCLOSE
TO OTHERS EITHER THE DRAWING OR THE CONFIDENTIAL OR
TRADE SECRET INFORMATION THEREIN; AND (4) UPON
COMPLETION OF THE NEED TO RETAIN THE DRAWING, OR UPON
DEMAND, RETURN THE DRAWING, ALL COPIES THEREOF, AND
ALL MATERIAL COPIED THEREFROM.

UNLESS OTHERWISE SPECIFIED,
ALL DIMENSIONS ARE
IN MILLIMETERS

REMOVE ALL BURRS
AND SHARP CORNERS

CAD GENERATED DRAWING,
NO MANUAL REVISIONS ALLOWED

COPYRIGHT © 2006
INGERSOLL-RAND COMPANY
ALL RIGHTS RESERVED

NOUN CODE	
THIRD ANGLE PROJECTION	
DRAWN	DATE
F. BANASZAK	03-31-05
CHECKED	
R. WELS	05/11/05
APPROVED	
R. WELS	05/11/05

**AIREND INSTALLATION
CF90D3,D4 (BELT DRIVE)**

SIZE: **A1** ESTIMATED WEIGHT (KG): 88 DWG NO.: **22643035** REV: **C**

SCALE: 0.50 UNIT: CF90D3, D4 SHEET 1 OF 2